

TECHNICAL CHARACTERISTICS

ELECTRO - MECHANICAL SPECIFICATIONS

POWER SUPPLY

- 220 - 240 V 50/60 Hz
- 100 - 120 V 50/60 Hz.

LAMP

- Metal iodide type, fed by built-in power supply unit;
- Type HTI 300/DX: colour temperature 6,500 K, luminous flux 22,000 lumen, cap SFc 10-4, average life 750 h.
- Type HTI 300/DEL: colour temperature 5,700 K, luminous flux 20,000 lumen, cap SFc 10-4, average life 3,000 h, working position P 45.

POWER CONSUMPTION

- 900 VA at 230 V 50 Hz;

MOTORS

- No. 8 microstepping motors with full microprocessor control.

OPTICAL SYSTEM

OPTICAL UNIT

- Base in die-cast aluminium;
- Twin lens condenser;
- High luminous efficiency mirror.

LENSES

- Standard: 1:1,6 / 100 mm (16,6°).
- Optional: 1:2,2 / 135 mm (12,6°).
- Optional trioptic: 1:2,8 / 120 mm (13,6°).

MIRROR HEAD

MIRROR

- Very high luminous efficiency.

MOVEMENT

- By means of two microstepping motors with microprocessor control.
- Continuously variable speed; maximum values:
 - PAN = 0,4 s (150°)
 - TILT = 0,3 s (110°).
- Continuous, uniform movement; resolution:
 - PAN $\pm 0,3^\circ$ (150°)
 - TILT $\pm 0,2^\circ$ (110°).

CONTROL SYSTEMS

CHANNELS

- No. 7 control channels.

INPUTS

- MINISCAN HPE is designed to accept digital control signals from controllers or computers.
- Digital serial inputs: RS 232/423 (PMX) or DMX 512.

CONSTRUCTION

SAFETY DEVICES

- Automatic power-down in the case of overheating or cooling system failure.
- Automatic power-down when cover is opened.
- Two safety rope fixing points

COOLING

- Forced ventilation supplied by axial fans.

HOUSING

- In die-cast aluminium with epoxy powder coating.

MOUNTING BRACKET

- Steel with epoxy powder coating.
- Two installation positions spaced at 50 mm (1,97").
- Adjustable through 110°.
- Fastening point for safety rope.

OPERATING POSITION

- Operation in any position, limited to the specifications of the lamp used.

WEIGHTS AND DIMENSIONS

- 582 x 238 x 300 mm.
- Version 200 - 240 V: 13 kg (28 lbs 10 ozs).
- Version 100 - 120 V: 16 kg (35 lbs 3 ozs).

ORDER CODES

C11085 Mini Scan HPE 200-240 V

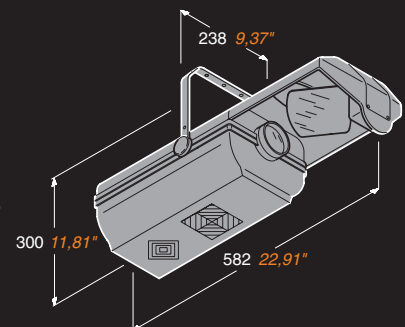
C 11086 Mini Scan HPE 100-120 V

C 31107 Optional trioptic lens 1:2,8/120 mm

C 31147 Optional lens 1:2,2/135 mm

L 10043 Osram HTI 300/DX lamp

L 10051 Osram HTI 300/DEL lamp



CLAY PAKY S.p.A

Via Pastrengo, 3/b - 24068 Seriate (BG) - Italy - Tel. + 39-035-654311
Fax + 39-035-301876 - www.claypaky.it - e-mail: cp.sales@claypaky.it



PROFESSIONAL SHOW LIGHTING